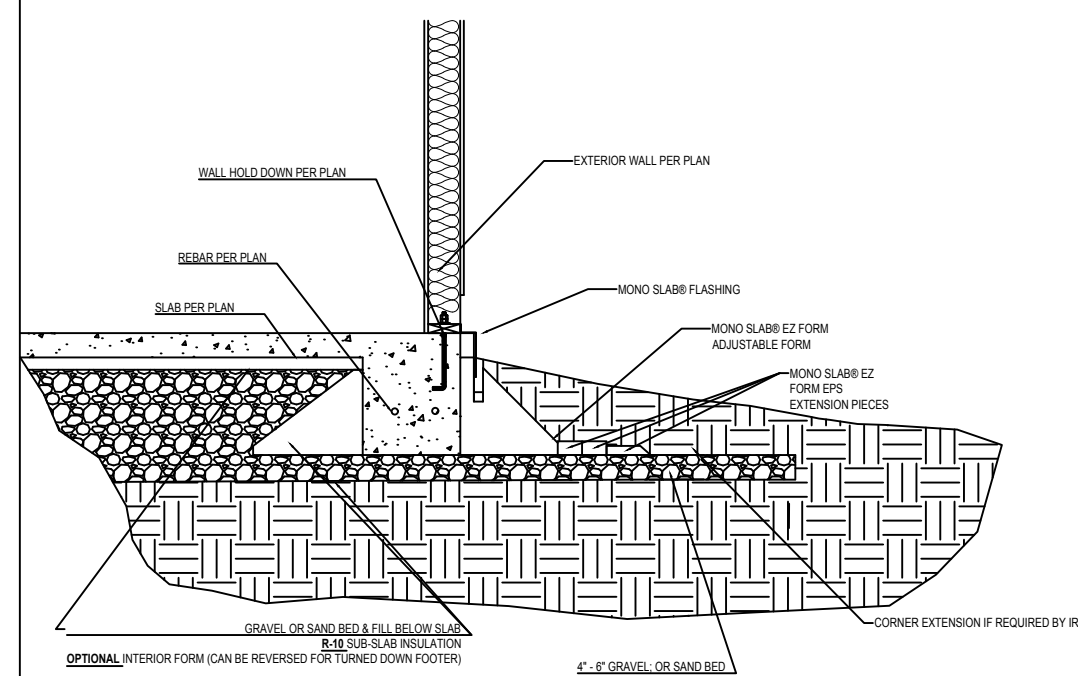


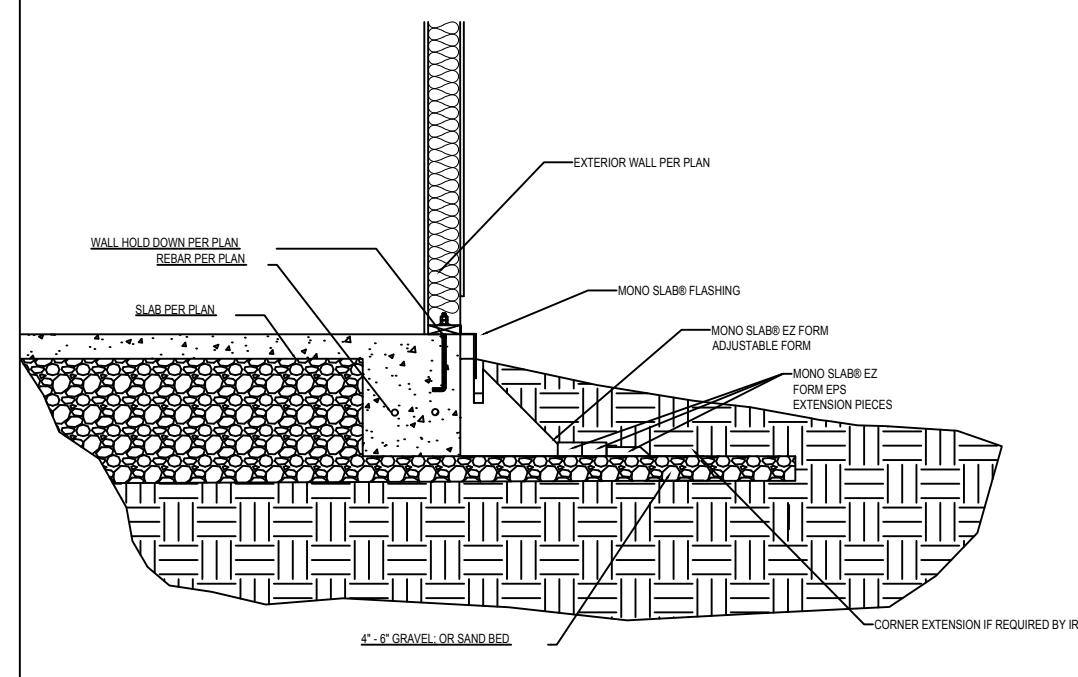
1- MONO SLAB® EZ FORM INSTALLATION

1. Begin by excavating to plus or minus 1/2 inch from grade.
 2. Prep pad with 2-4" of gravel per IRC and IBC Code
 3. Level plus or minus 1/2 inch and square project site.
 4. Place and install Mono Slab® EZ Form.
 5. Beginning at a corner, place the first EZ form in position to rough level- extending the form past the corner.
 6. Place the next Mono Slab® butting it in firm contact with the previous form and repeat.
 7. Connect Mono Slab® EZ Form with 2x6x8" or 2x12x8", staggering the seams.
 8. To secure the forms, place two stakes per 8' length.
 9. Lightly backfill the exterior up to bottom of the lumber covering all EPS foam.
 10. Starting at the highest point in the foundation, lift the screed board to perfect level.
 11. Secure screed boards with Level Up Extension Brackets.
 12. Break off section of eps extension so it is level with the screed board and secure the forms using two stakes per form.
 13. At screed board intersections, fasten butt joints using 3 -3 inch grabber screws.
 14. Prepare and pour the interior slab.
- ** For unheated spaces refer to ASCE 32

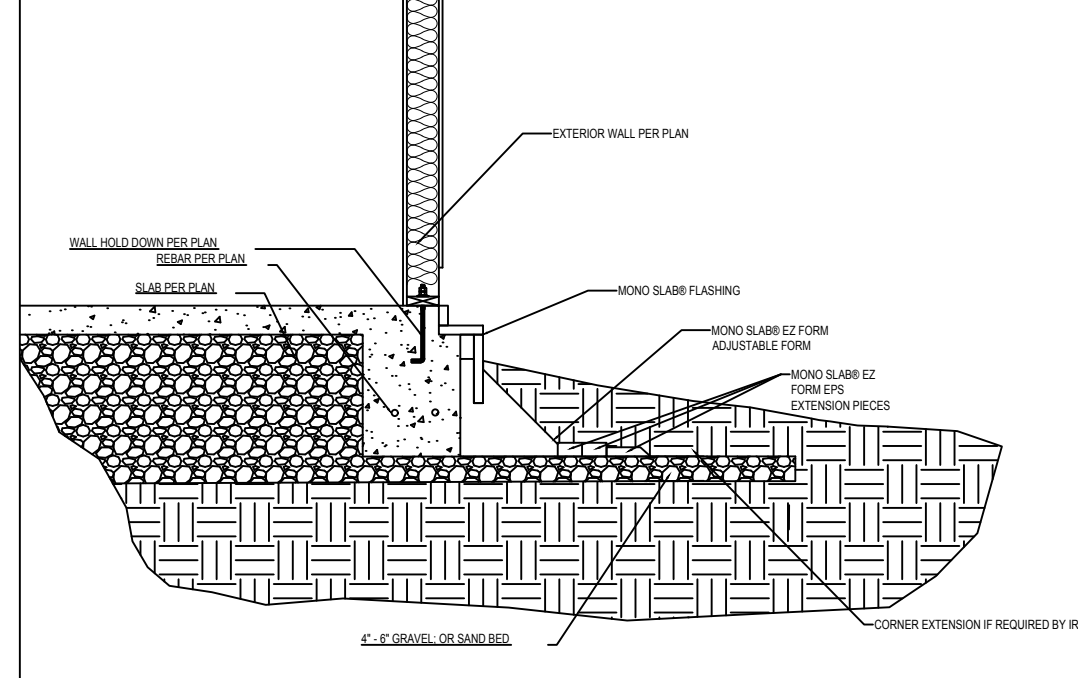
2- UNHEATED SPACE



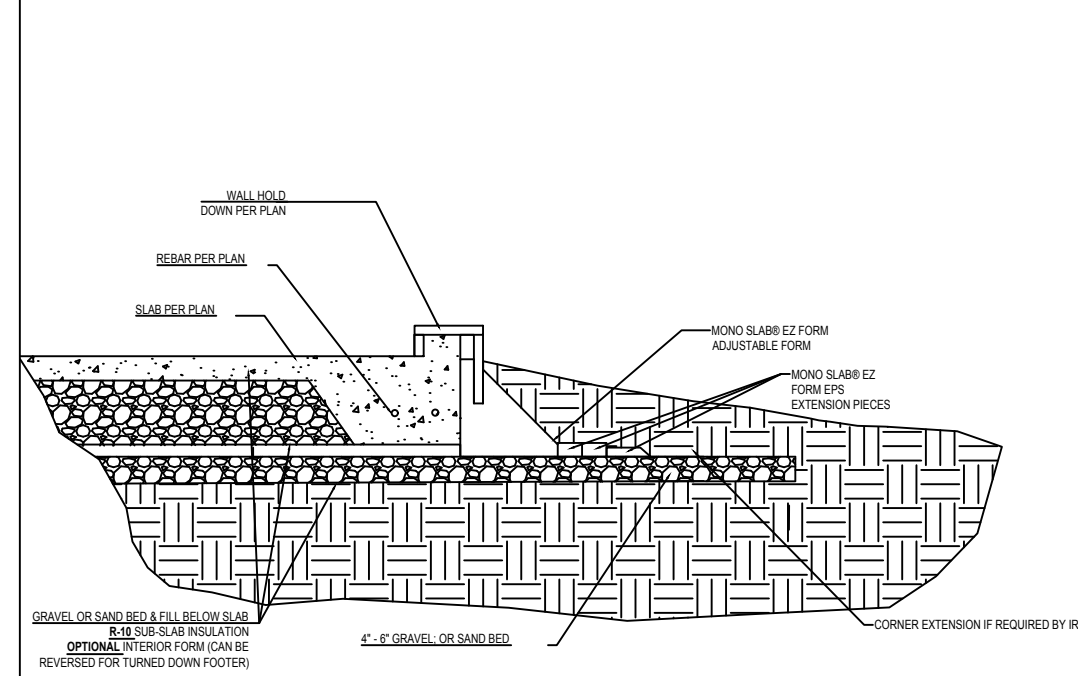
3- HEATED SPACE



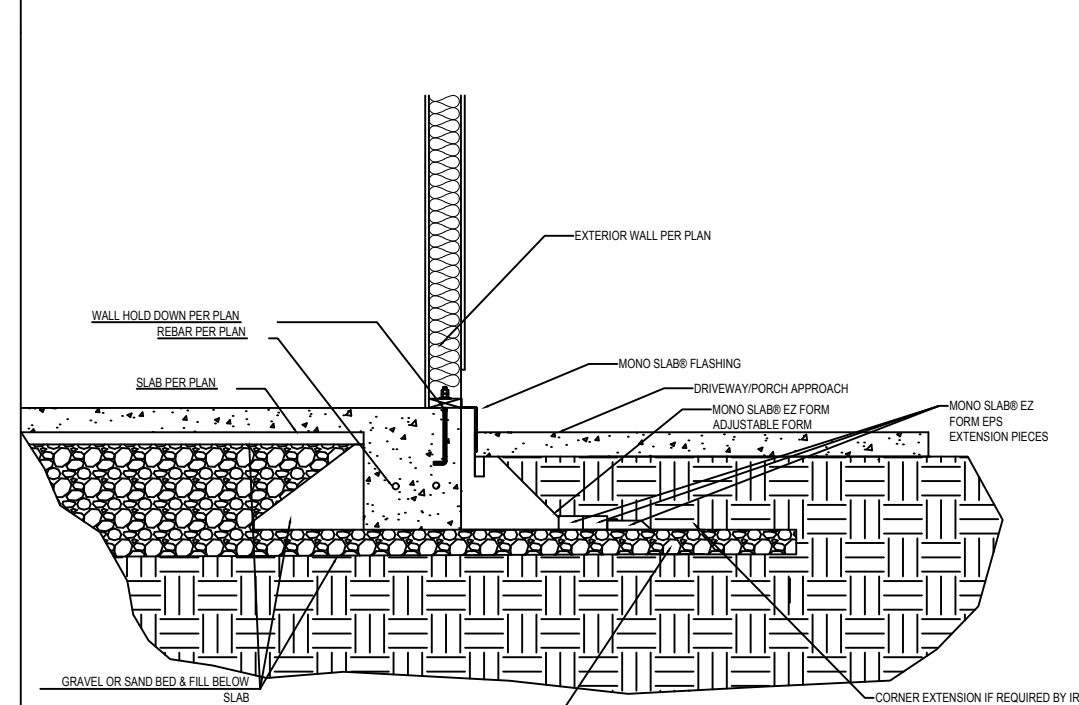
4- BRICK LEDGE



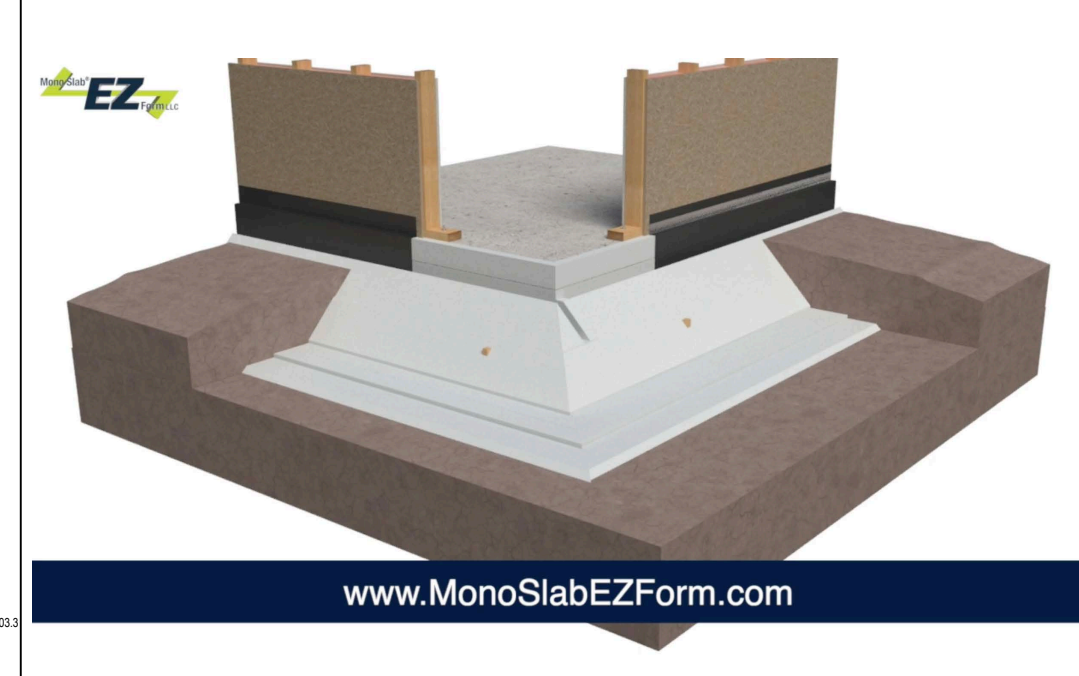
5- GARAGE STEP DOWN



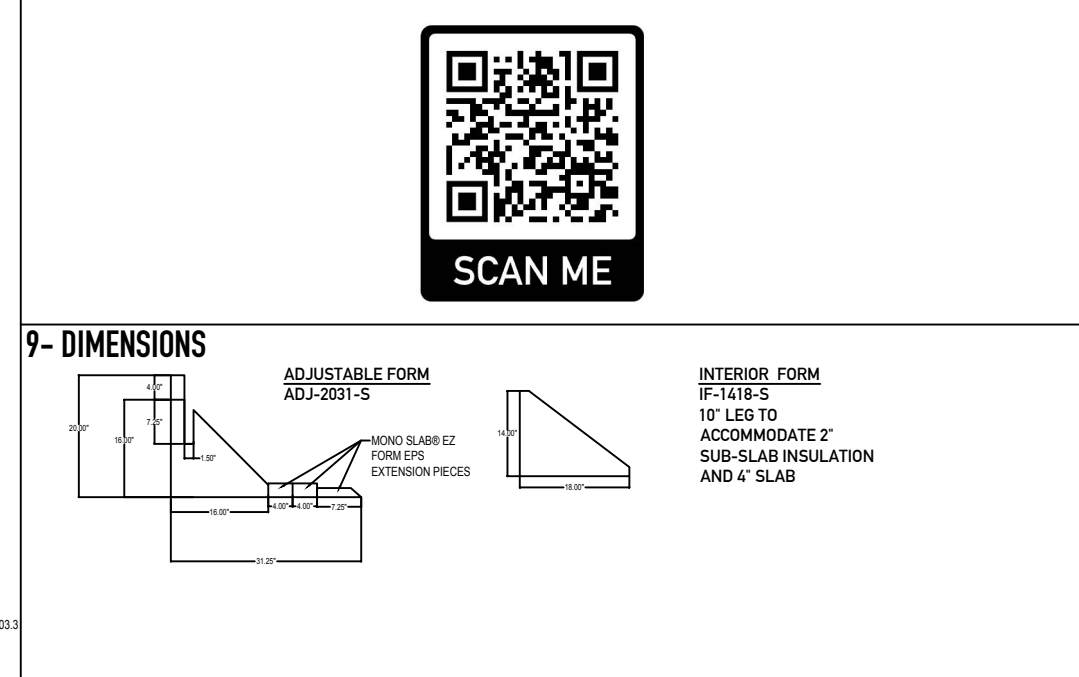
6- DRIVEWAY APPROACH



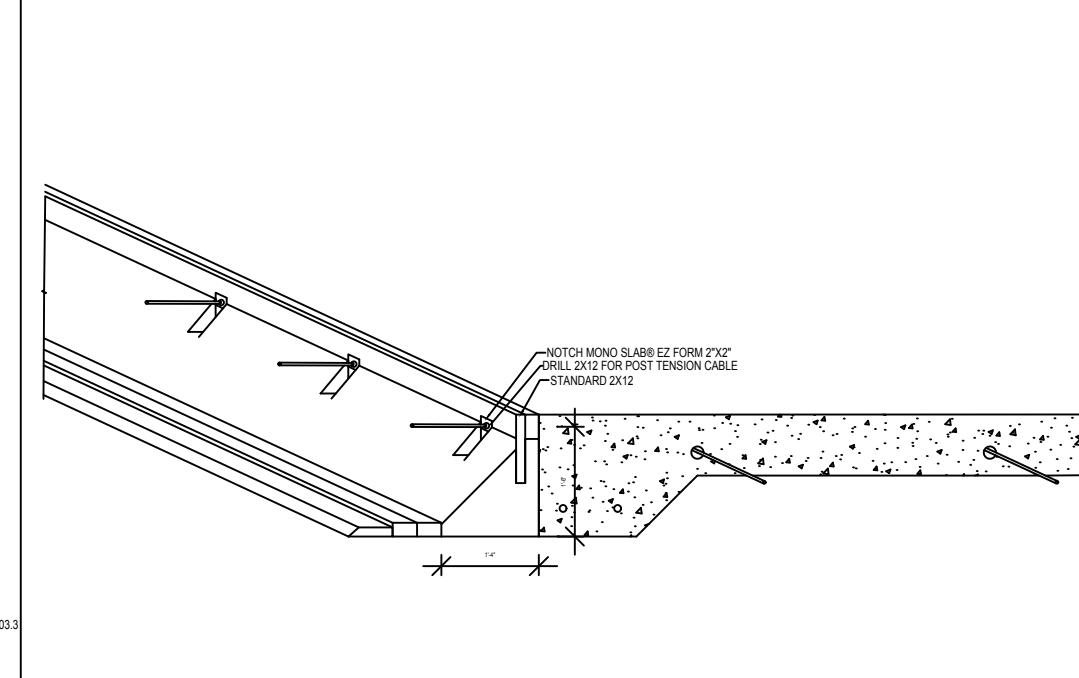
7- EXTERIOR CORNER



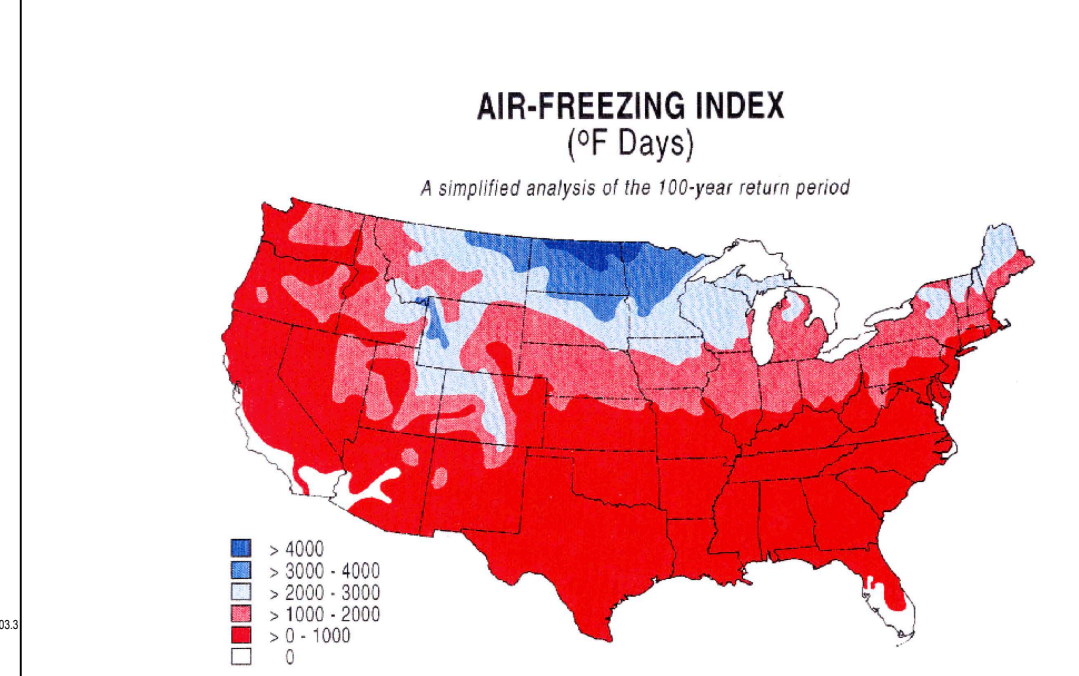
8- INSIDE CORNER



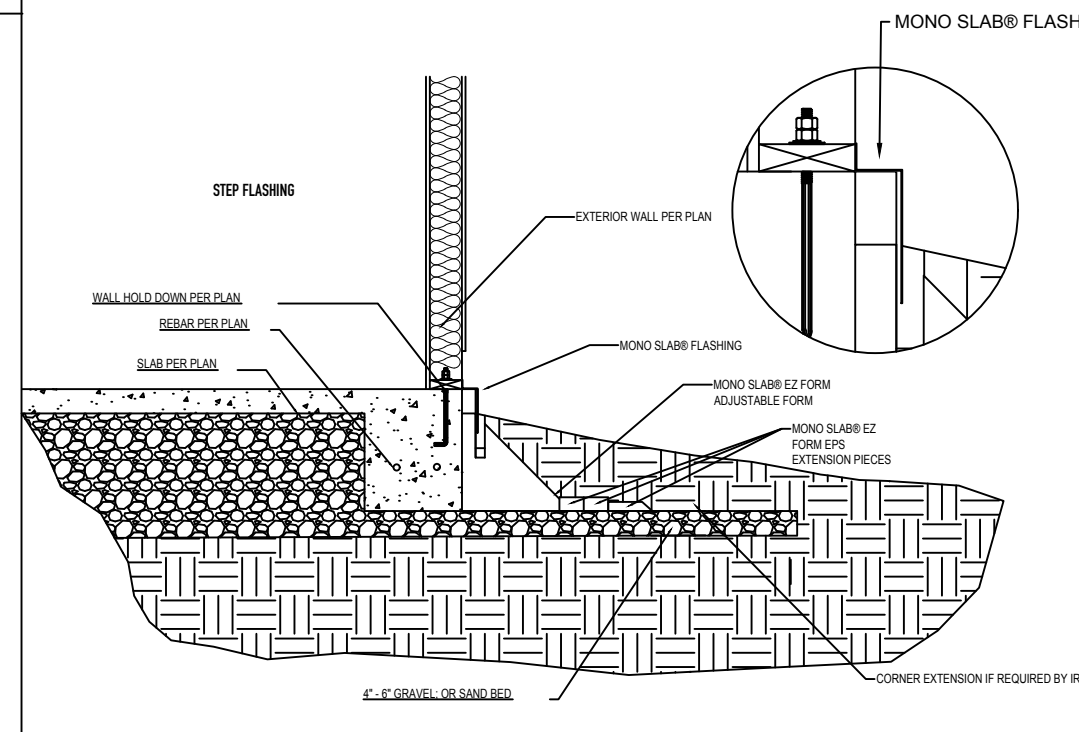
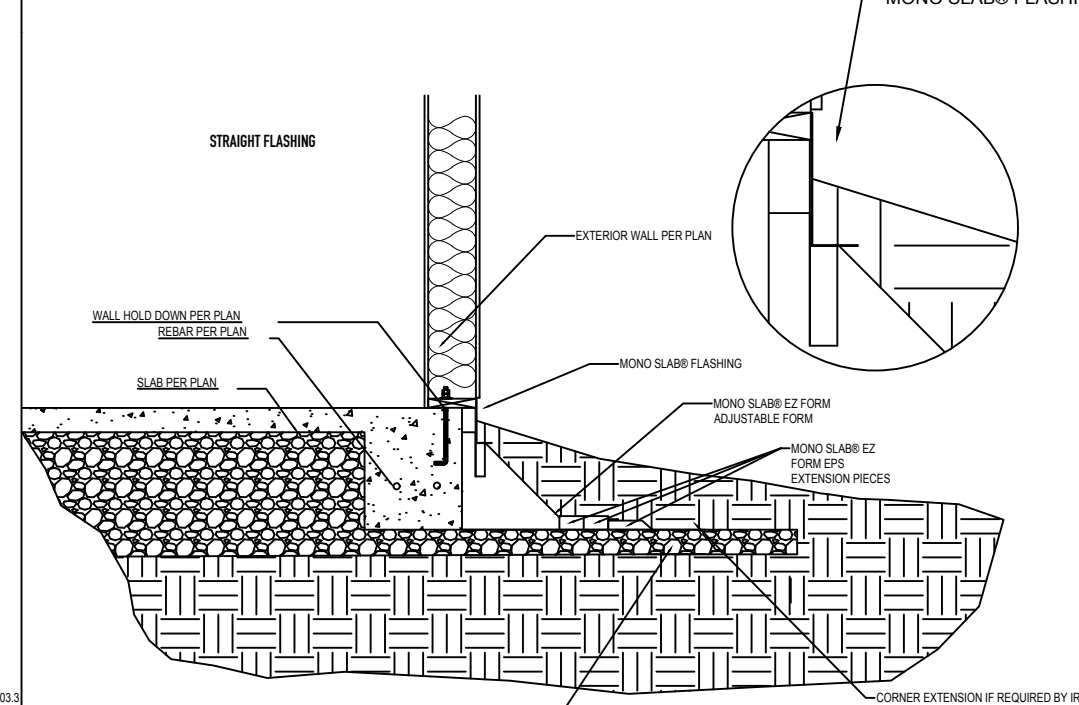
10- POST TENSION



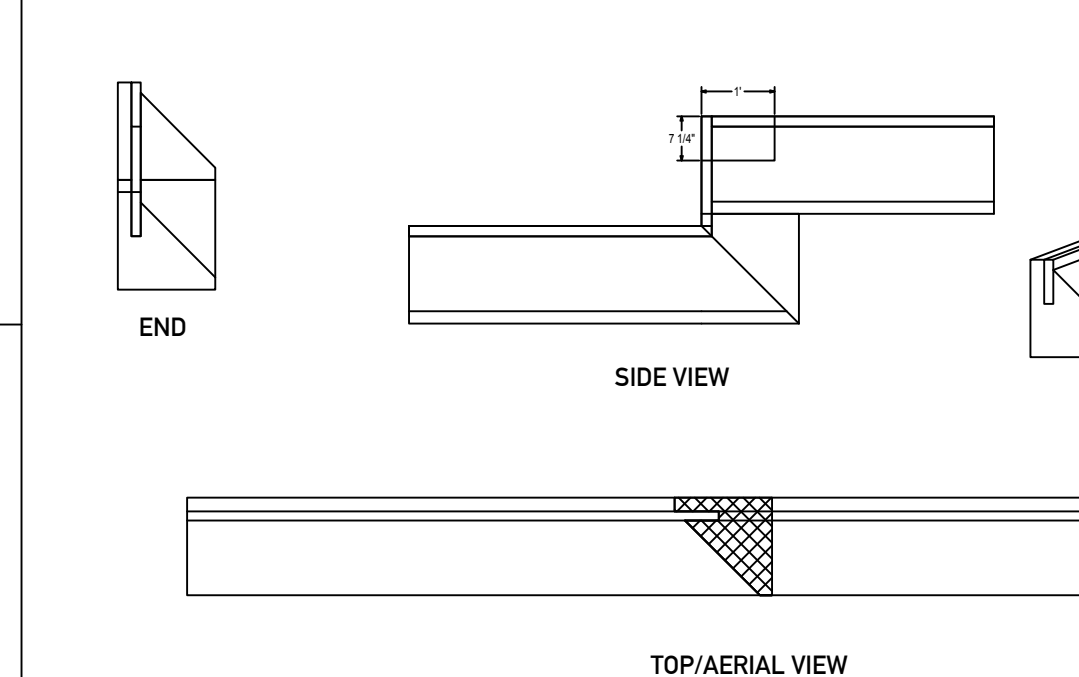
AIR FREEZING INDEX MAP



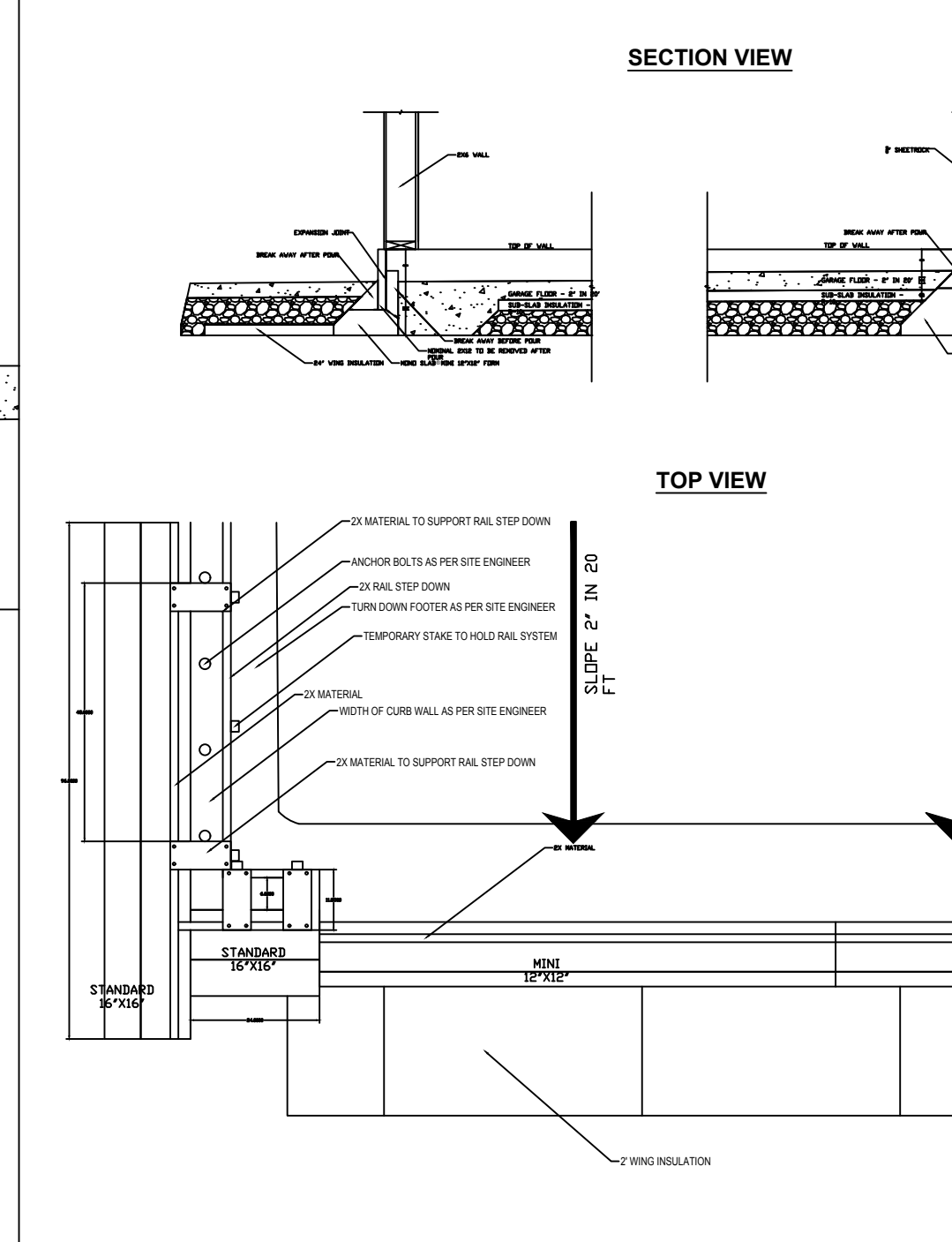
11- FLASHING



13- STEP DOWN



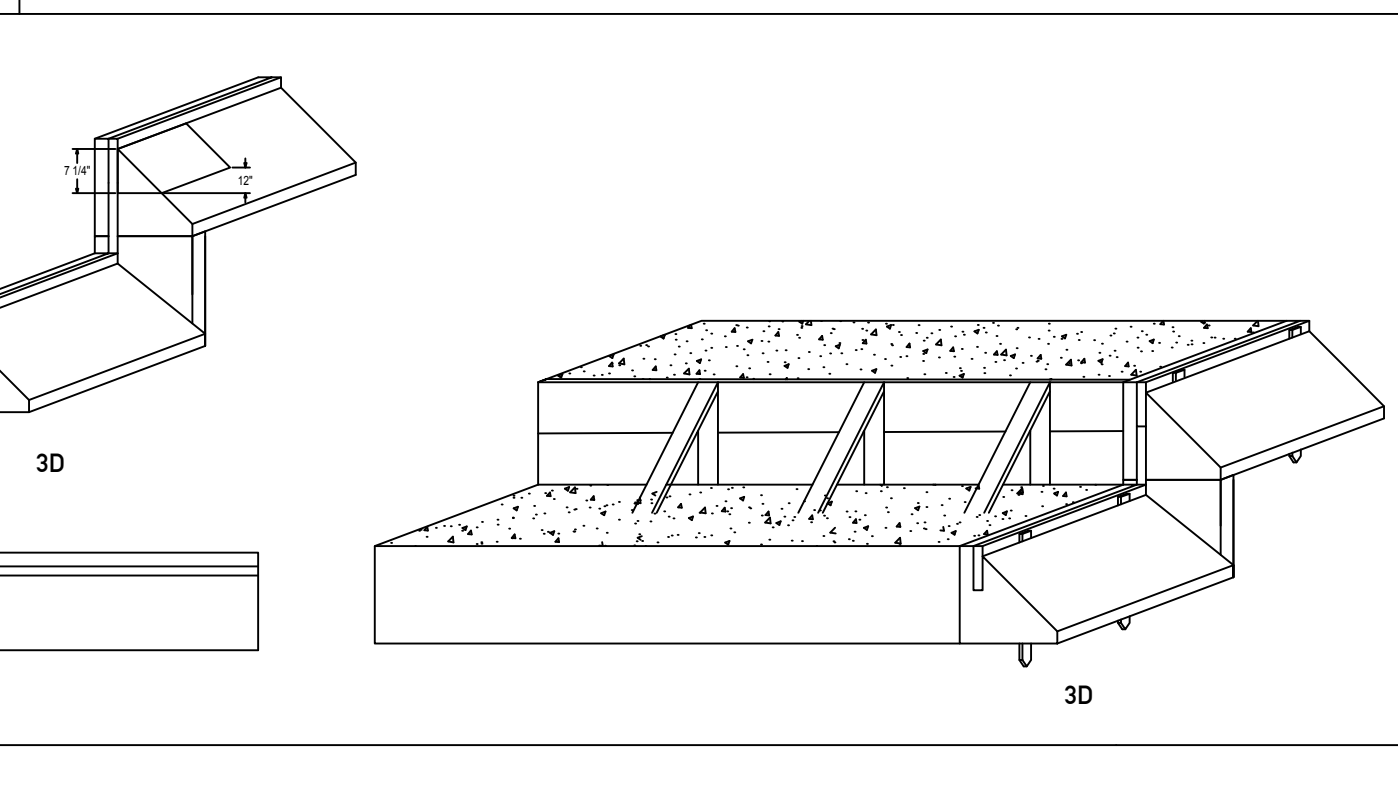
12- GARAGE TO HOUSE



US PATENT NO. 10, 024, 023 US PATENT NO. 10, 024, 024 PATENT PENDING

WWW.MONOSLABEZFORM.COM
208558-5200

NOTE:
NO. 10-12 ARE GENERALIZED DRAWINGS. NO. 10 - 12 CONSULT STRUCTURAL ENGINEER FOR SITE SPECIFIC SIZING



MATTER NO.	TITLE	APPLICATION #	PATENT #	GRANT DATE	COUNTRY	STATUS
89385.0003	Cement Form Apparatus and Method	14/698,674	10024023	Jul 17, 2018	USA	Issued
89385.0005	Cement Form with Breakaway Portion	15/136,795	10024024	Jul 17, 2018	USA	Issued
89385.0010	Cement Form Apparatus and Method	15/967,259	10538893	Jan 21, 2020	USA	Issued
89385.0011	Cement Form with Breakaway Portion	16/034,902	10920391	Feb 16, 2021	USA	Issued
89385.0012	Cement Form With Extension	11105094	11105094	Aug 31, 2021	USA	Issued
89385.0021	Cement Form With Extension	1808002	11808002	Nov 7, 2023	USA	Issued

