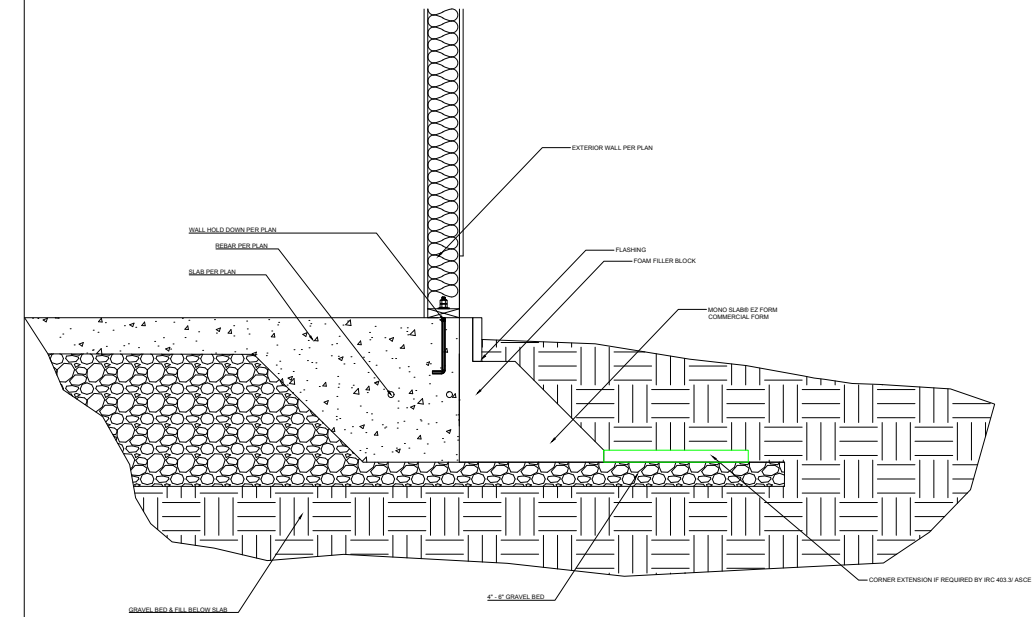
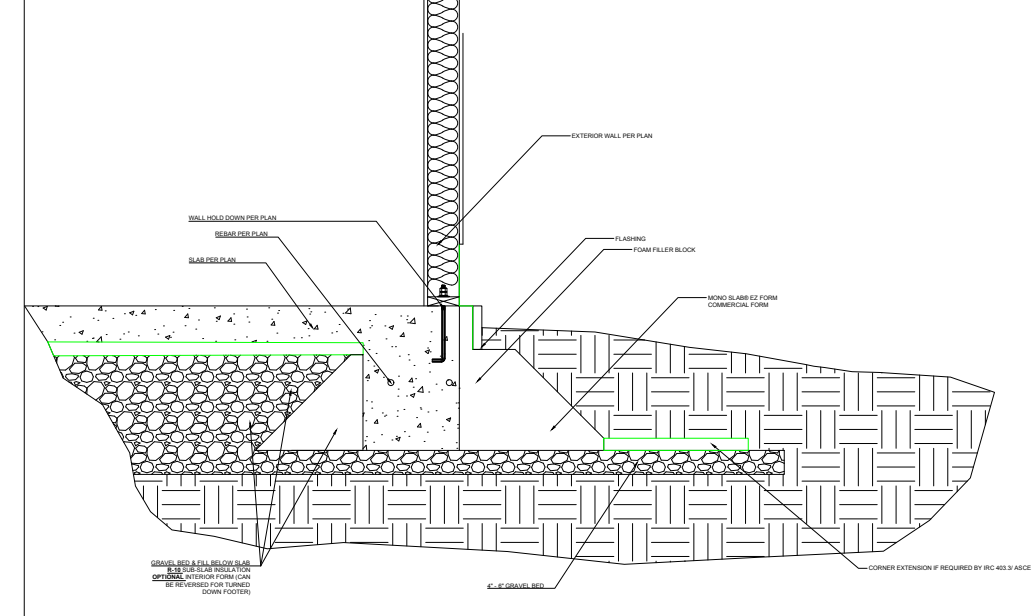


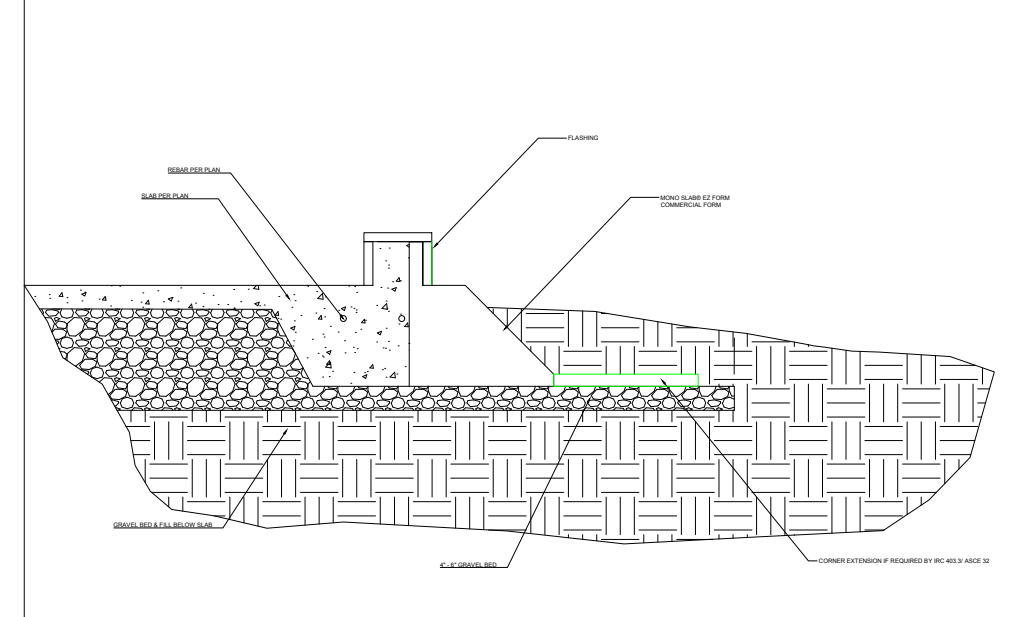
1- HEATED SPACE



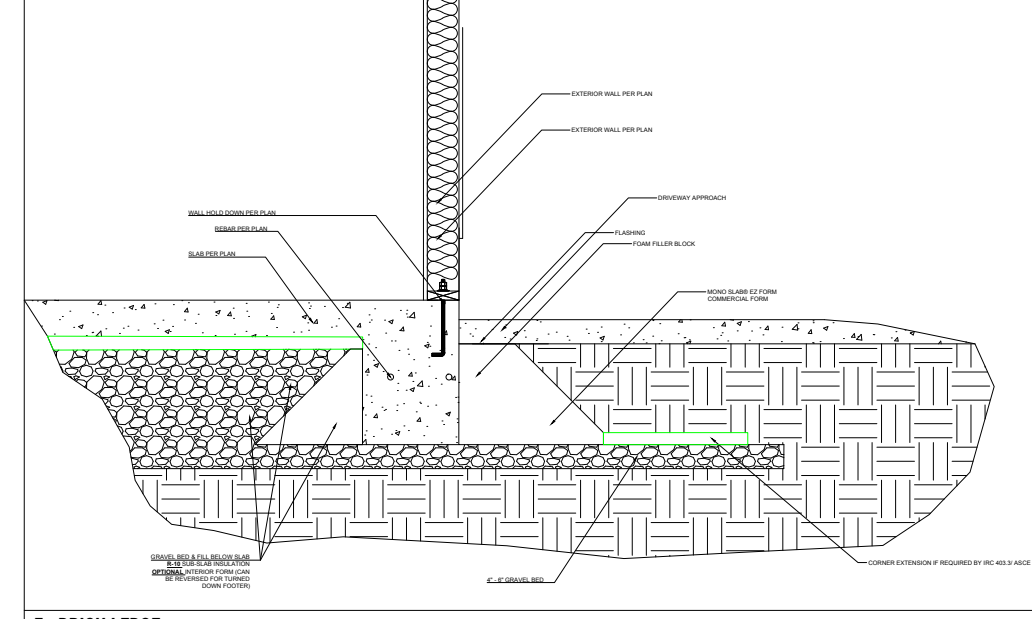
2- UNHEATED SPACE



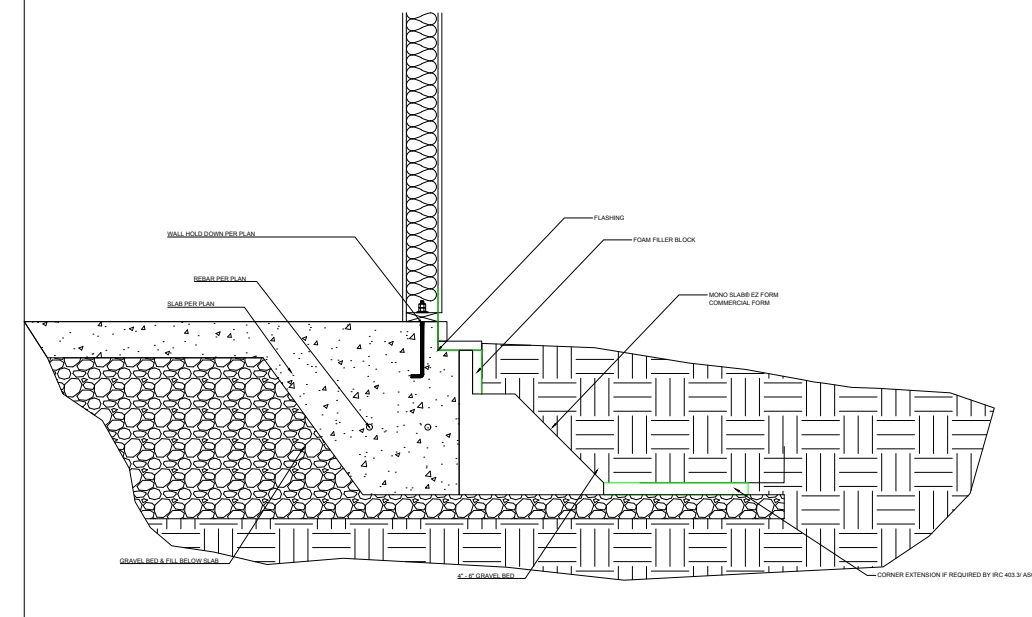
3- GARAGE STEP DOWN



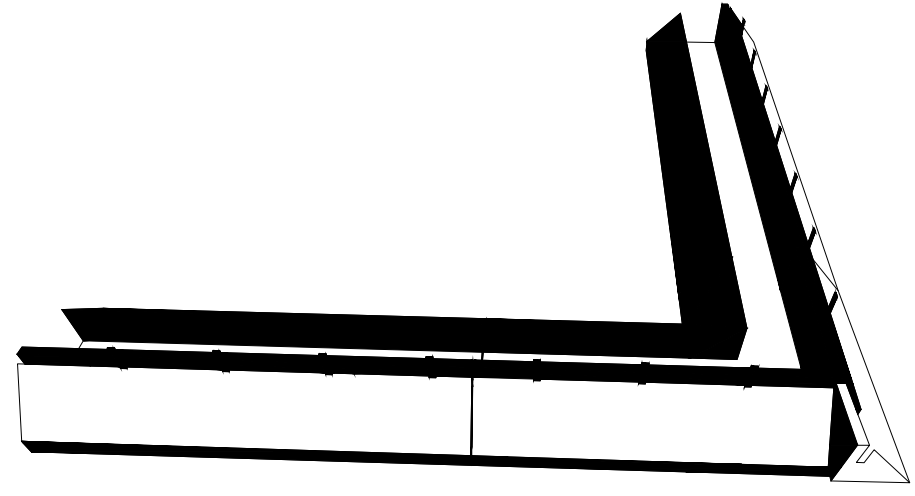
4- DRIVEWAY APPROACH / PORCH EDGE



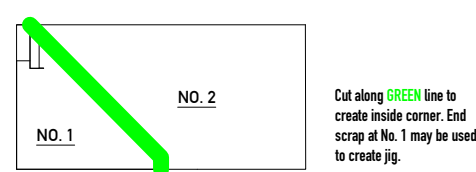
5- BRICK LEDGE



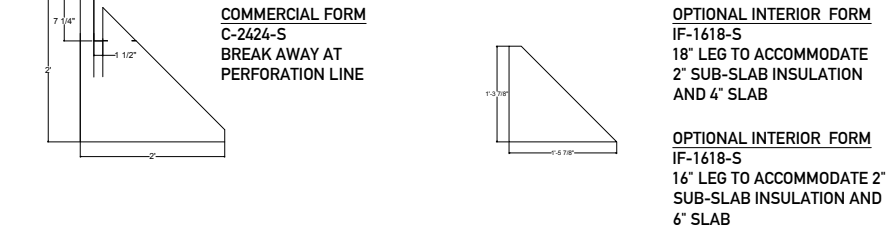
6- EXTERIOR CORNER



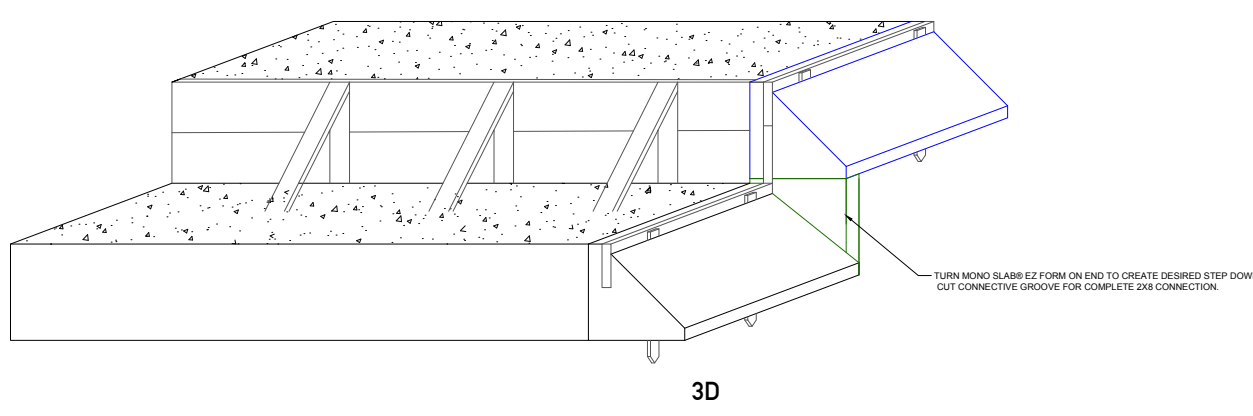
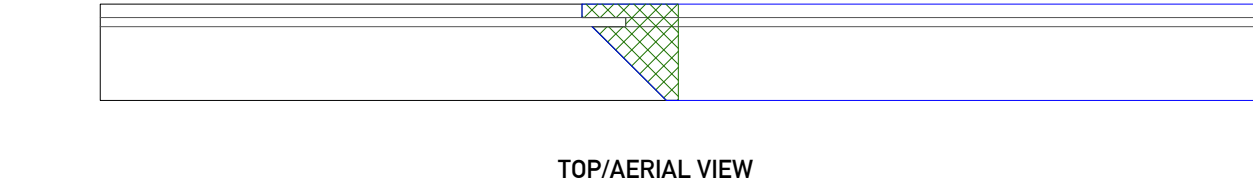
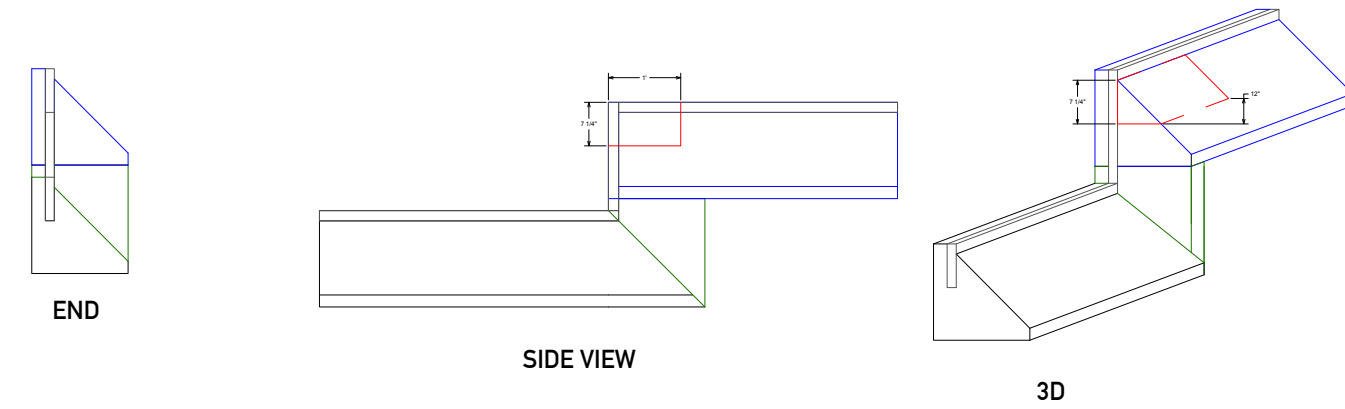
7- INSIDE CORNER



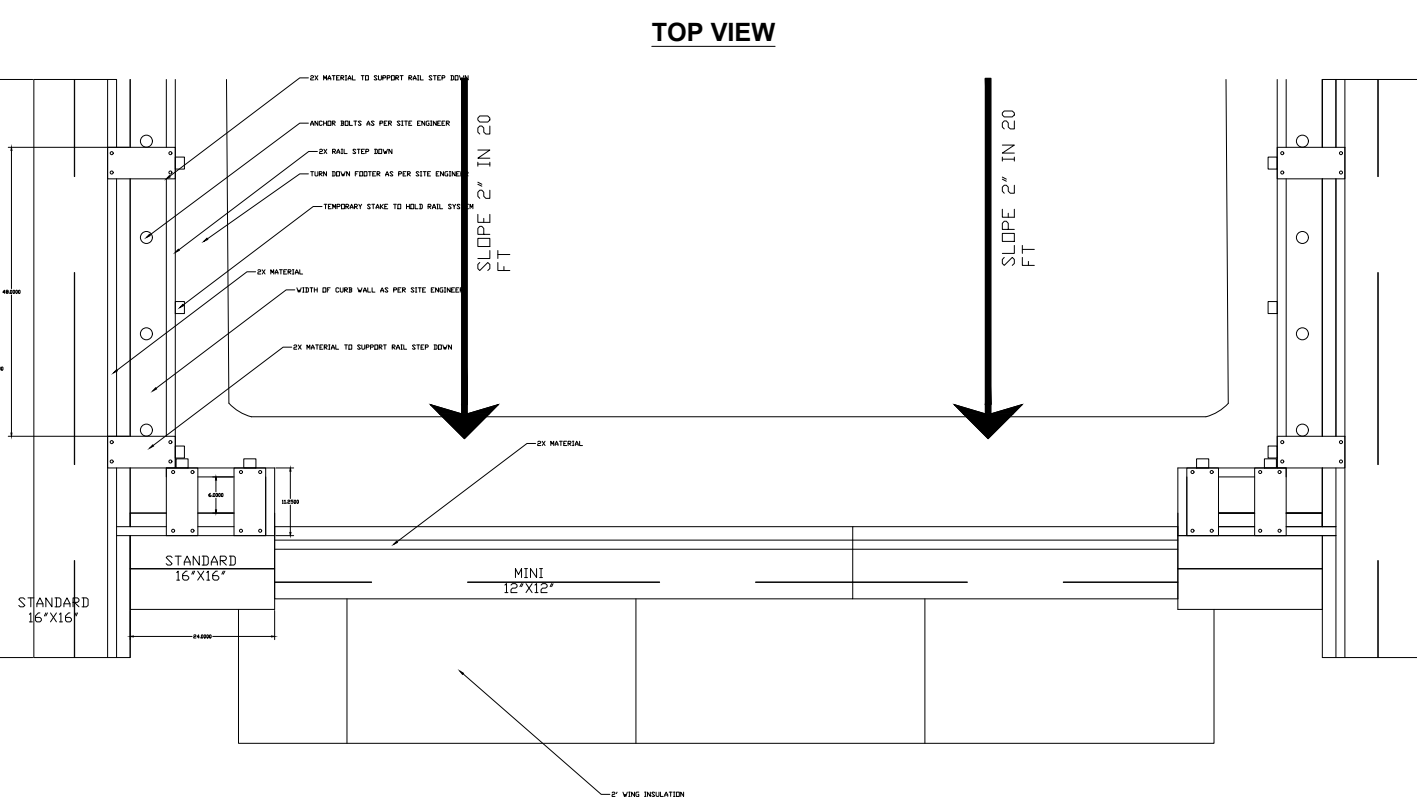
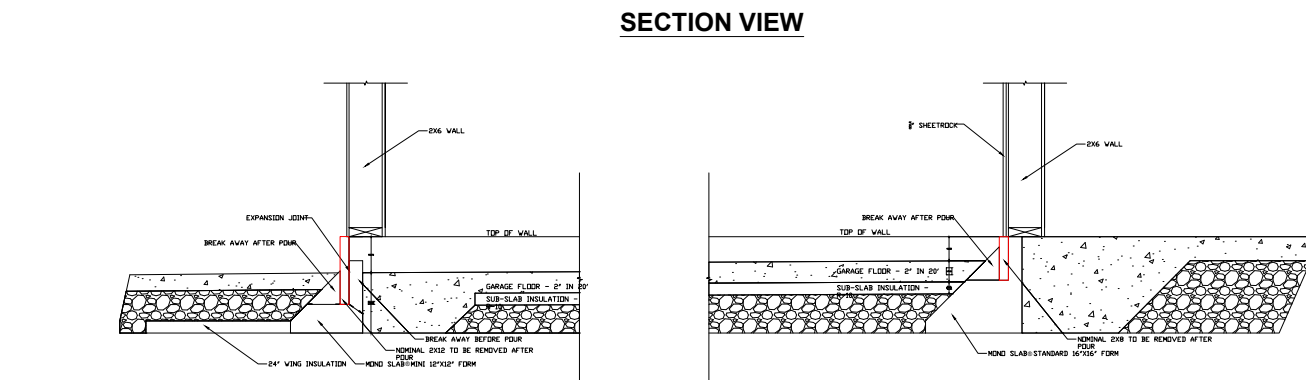
9- DIMENSIONS



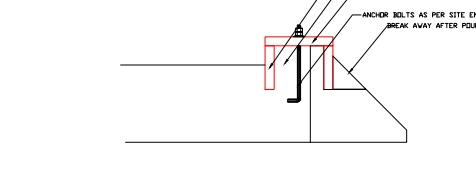
10- STEP DOWN



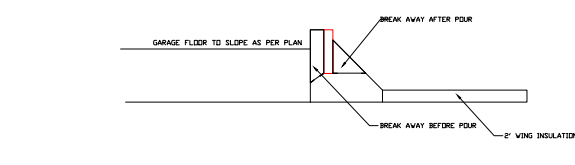
9- GARAGE TO HOUSE



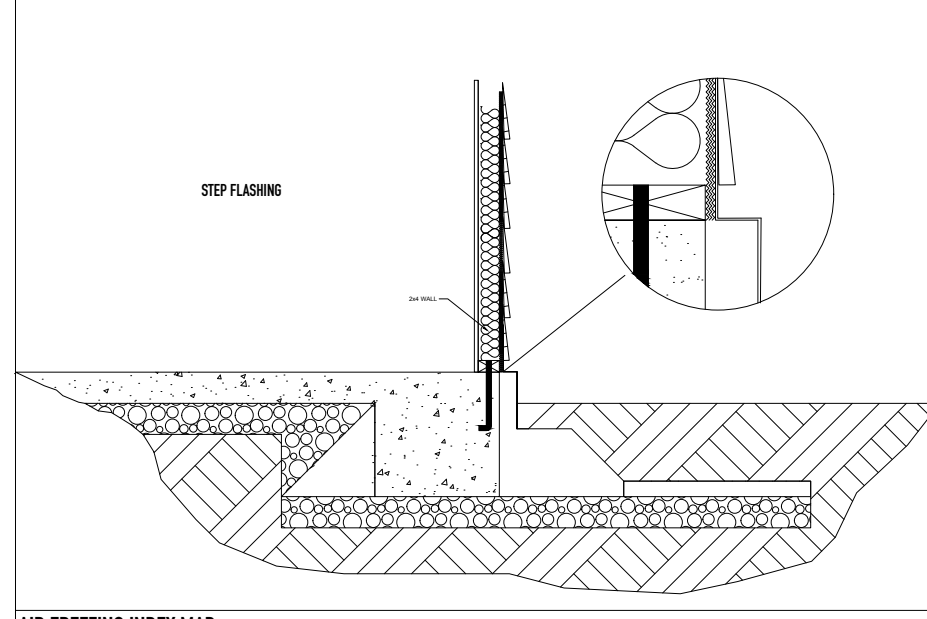
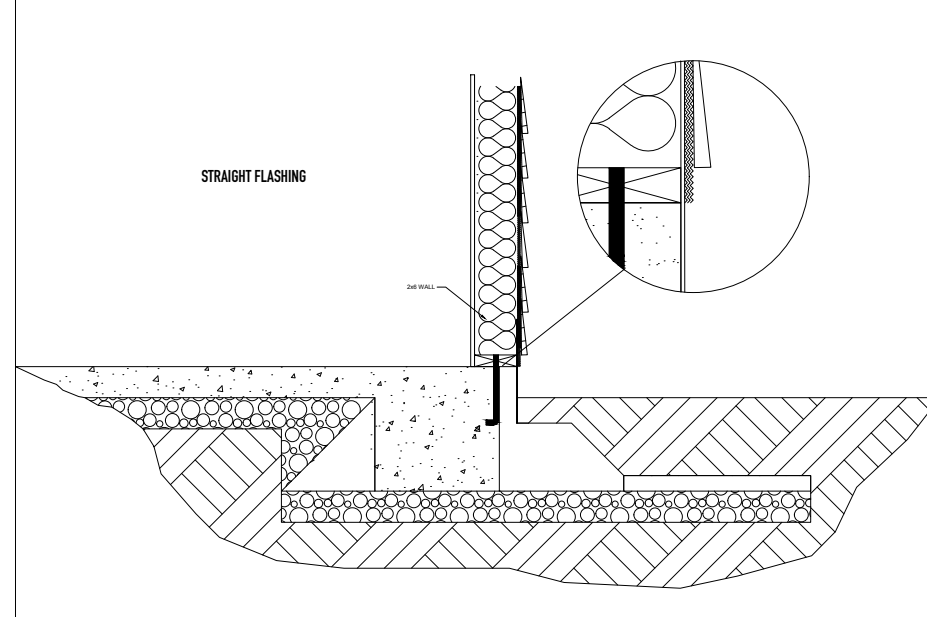
STANDARD FORM GARAGE CURB END VIEW



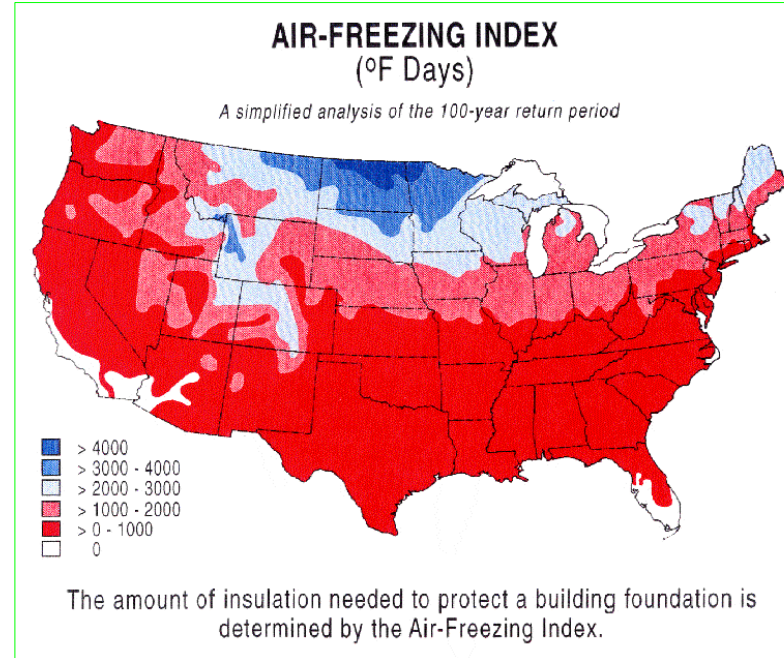
MINI FORM GARAGE DOOR OPENING END VIEW



11- FLASHING



AIR FREEZING INDEX MAP



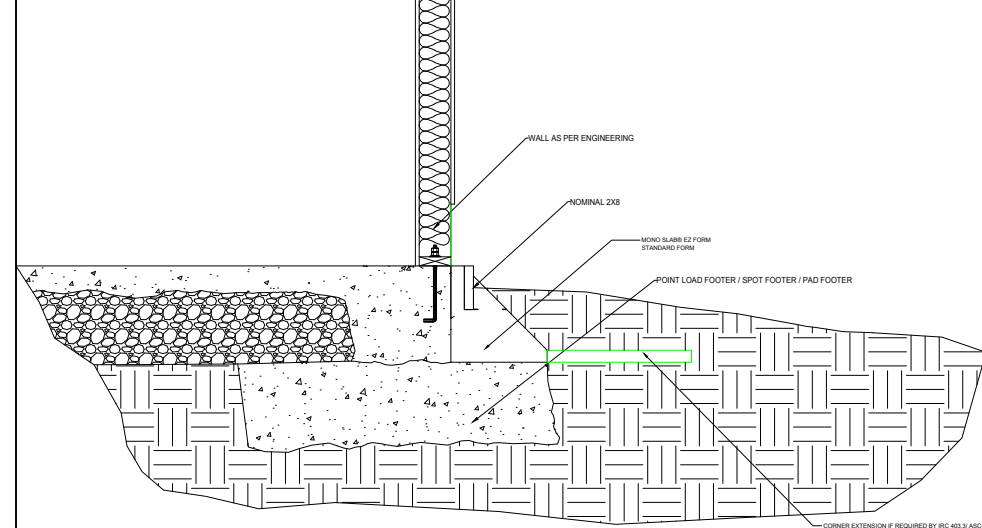
NOTE: NO. 9-12 ARE GENERALIZED DRAWINGS. NO 9-12 CONSULT STRUCTURAL ENGINEER FOR SITE SPECIFIC SIZING

US PATENT NO. 10, 024, 023 US PATENT NO. 10, 024, 024 PATENT PENDING

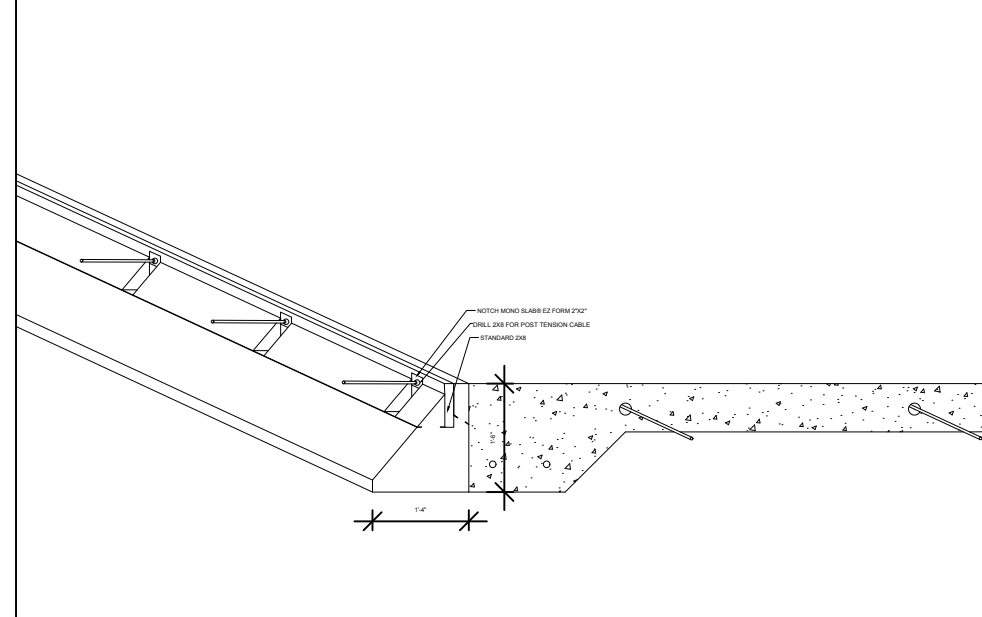


WWW.MONOSLABEZFORM.COM 208558-5200

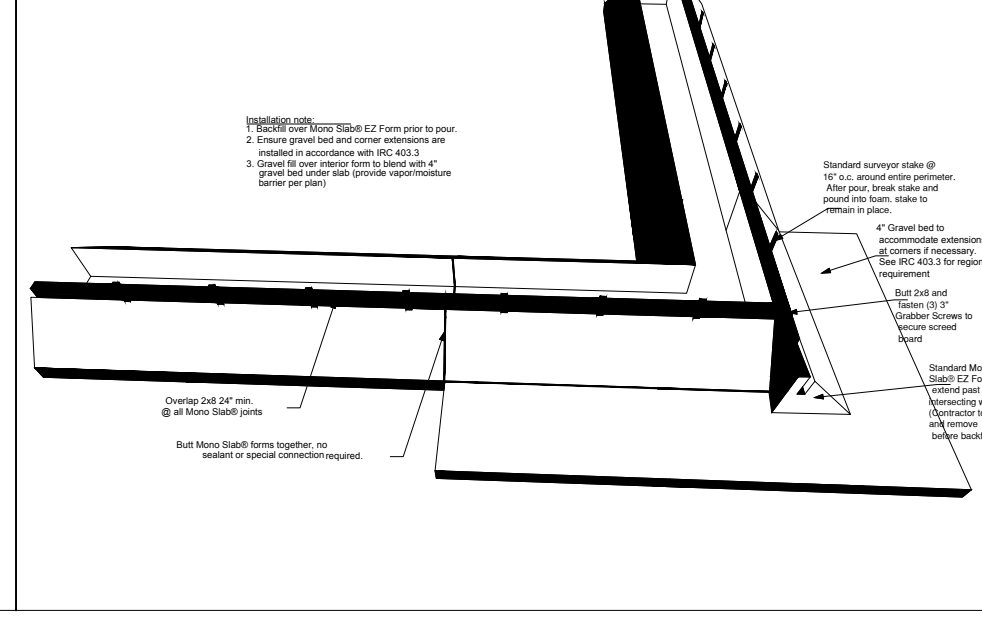
12- POINT LOAD FOOTER / SPOT FOOTER / PAD FOOTER



13- POST TENSION



14- MONO SLAB® EZ FORM INSTALLATION



MONO SLAB® EZ FORM DETAILS C-2424-S

US PATENT NO. 10, 024, 023 US PATENT NO. 10, 024, 024 PATENT PENDING PO BOX 371 ISLAND PARK, ID 83429 208-558-5200 WWW.MONOSLABEZFORM.COM